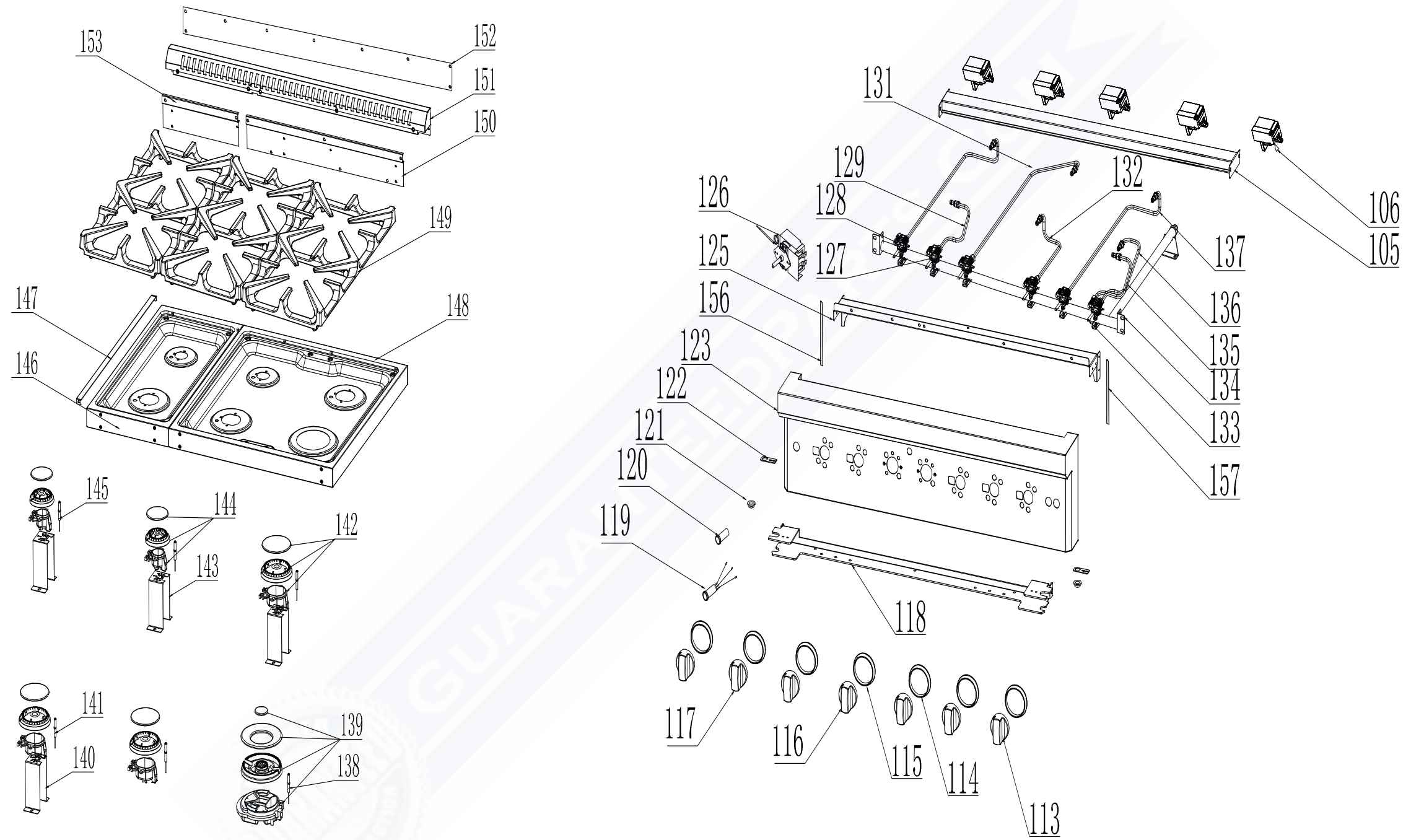
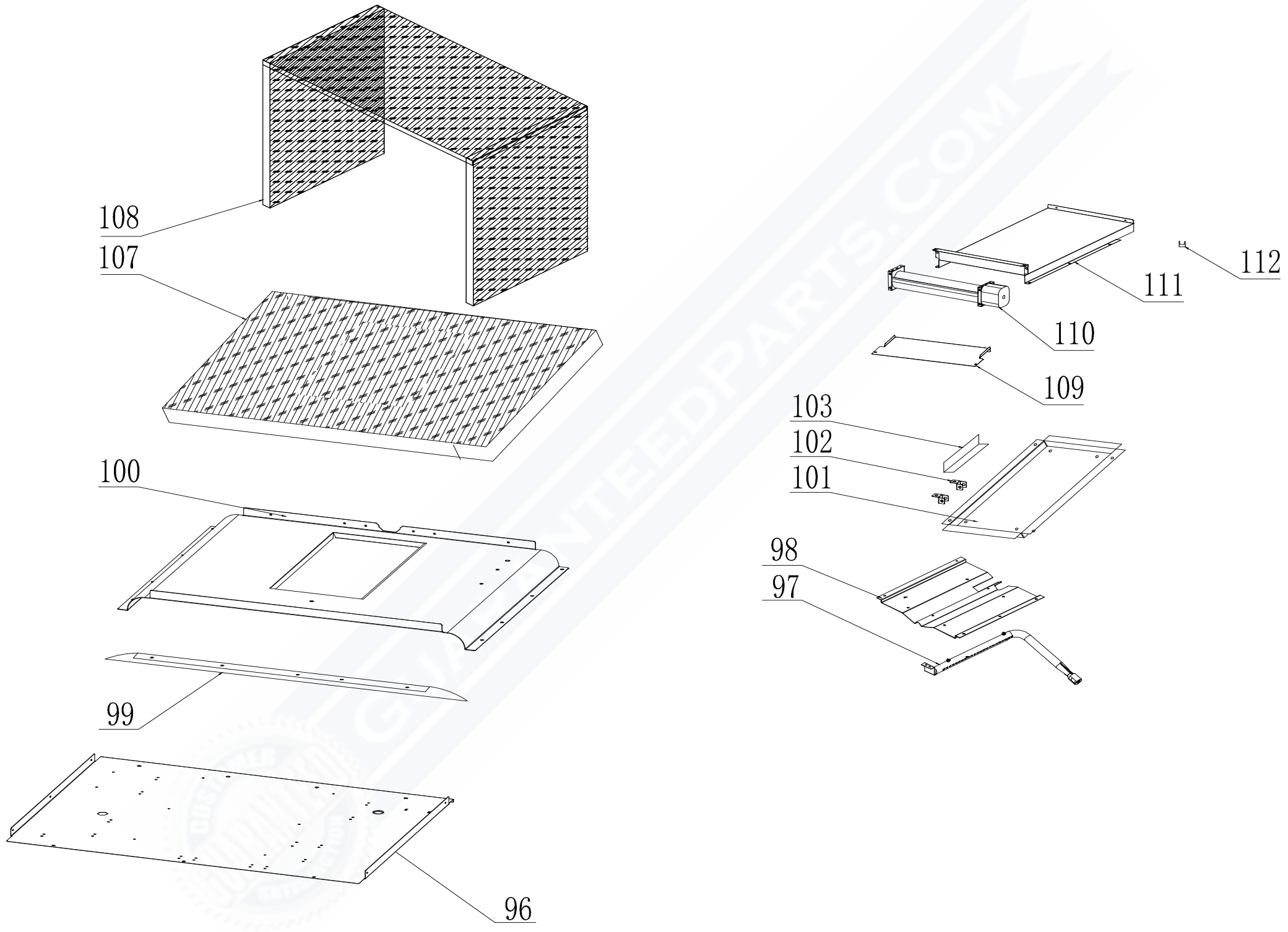


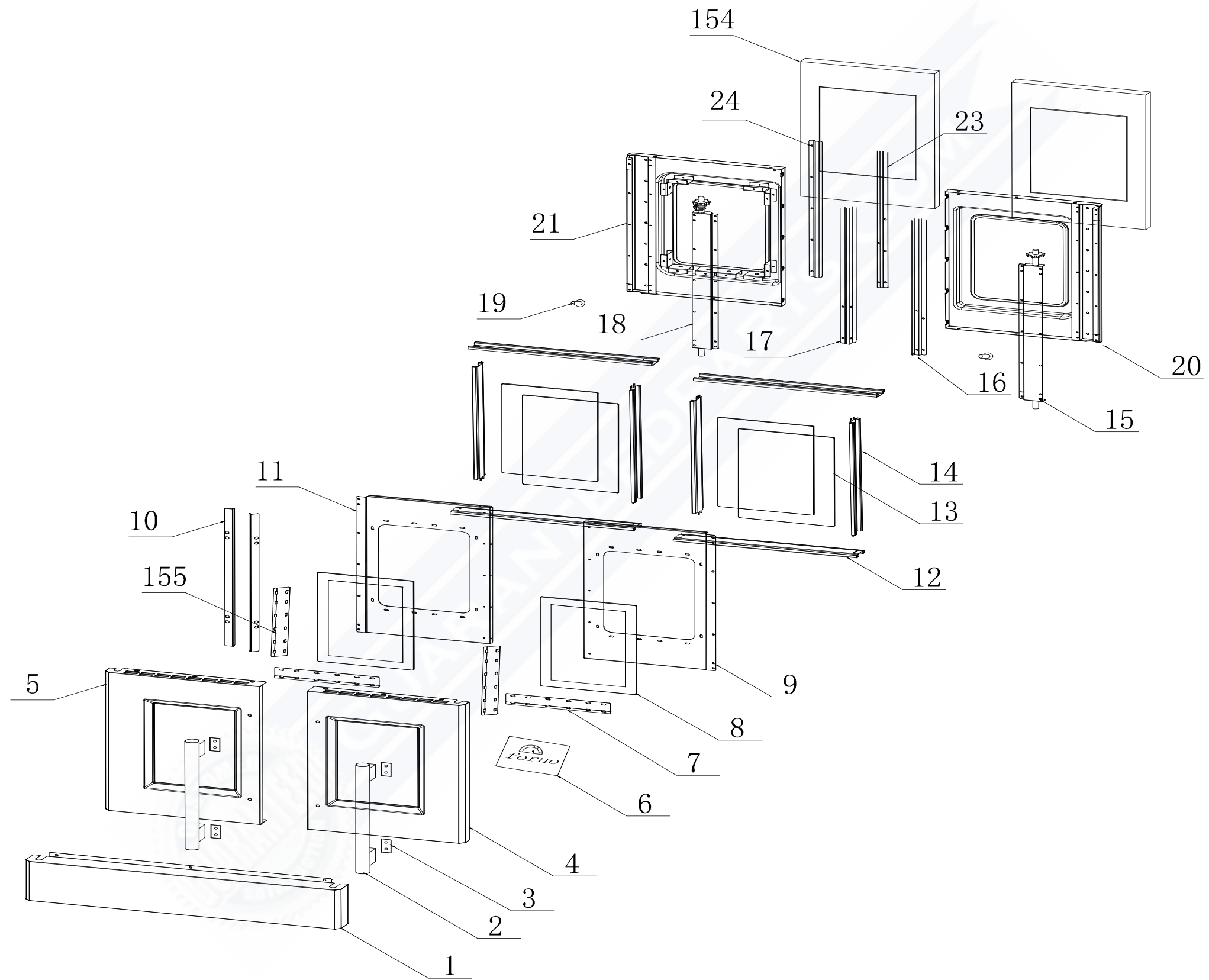
cooktop



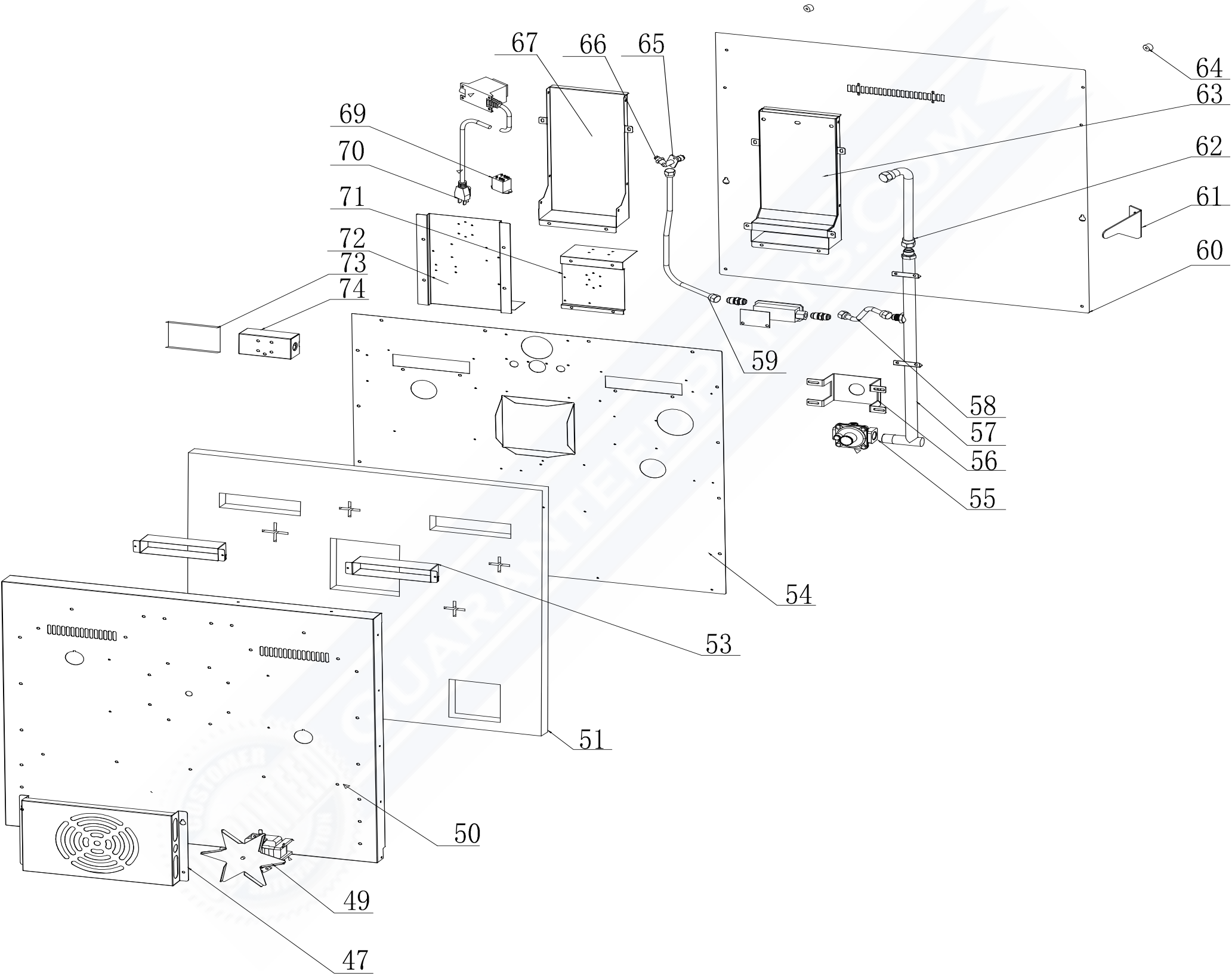
cavity top



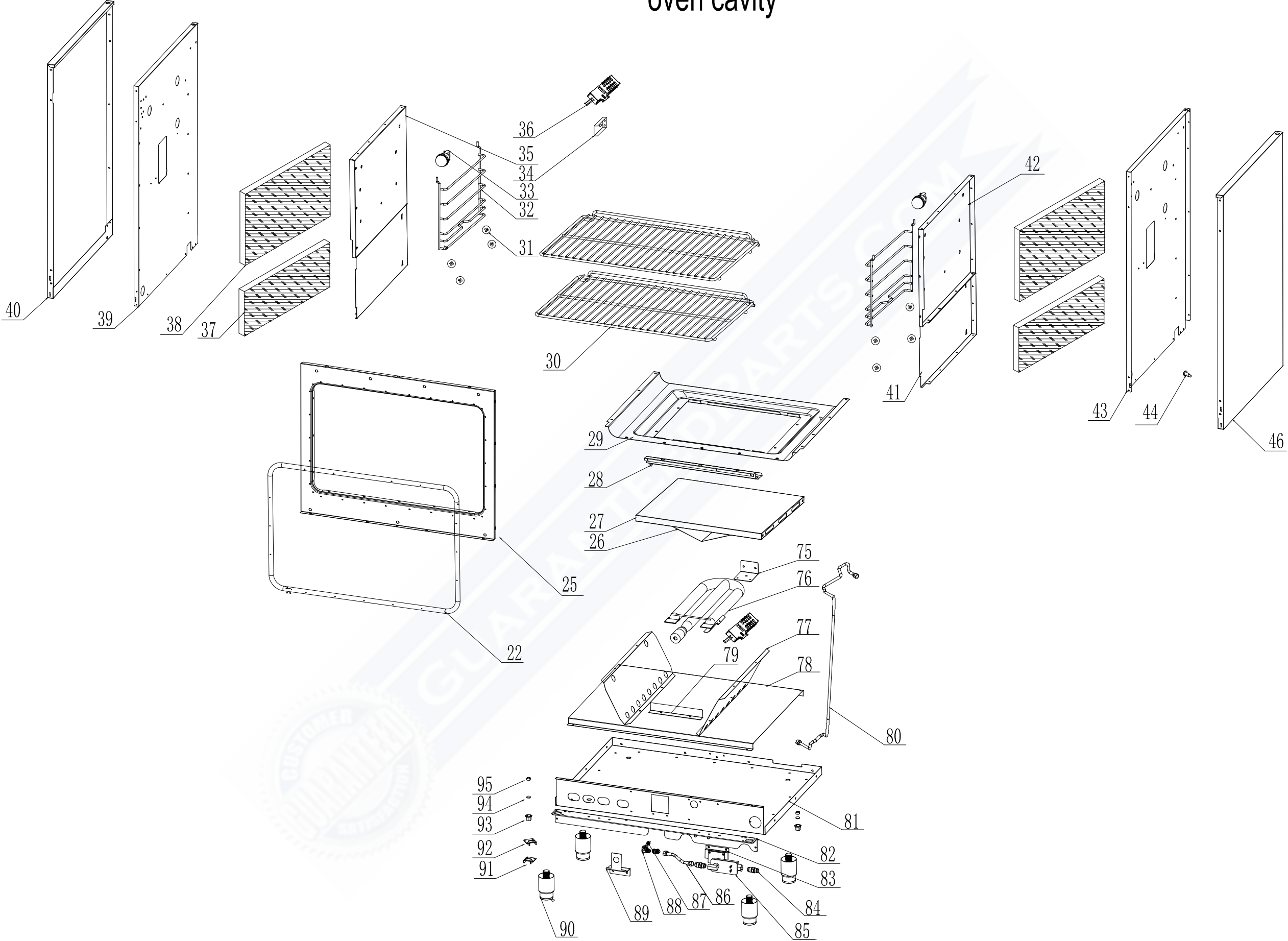
door



cavity back



oven cavity



FFSGS6444-36

| No. | Part Name | Part Code | Qty. |
|-----|---|------------------|------|
| 1 | Drawer panel G36R43 | G36R43-120100 | 1 |
| 2 | Handle G18R43 | G18R43-101900 | 2 |
| 3 | handle rubber mat G18R43 | G18R43-100700 | 4 |
| 4 | door outside plate-right G36R43 | G36R43-100401 | 1 |
| 5 | door outside plate-left G36R43 | G36R43-100400 | 1 |
| 6 | metal logo FFSGS6244-36 | G36R03-020010 | 1 |
| 7 | door outer glass black pressing plate G36R43 | G36R43-101400-02 | 4 |
| 8 | door outer glass G36R43 | G36R43-100300 | 2 |
| 9 | door insulation plate G36R43 | G36R43-100801 | 1 |
| 10 | Handle strengthen bar G36R43 | G36R43-100700 | 2 |
| 11 | door insulation plate G36R43 | G36R43-100800 | 1 |
| 13 | innder door glass G36R43 | G36R43-100500 | 4 |
| 19 | drawer rubber mat G20A01 | G20A01-120900 | 2 |
| 20 | Door frame Right G36R43 | G36R43-100601-Z | 1 |
| 21 | Door frame Left G36R43 | G36R43-100600-Z | 1 |
| 22 | door seal bar G36R03 | G36R03-071200 | 1 |
| 25 | front plate component G36R43 | G36R43-070100-Z | 1 |
| 27 | down tray G36R07 | G36R07-210101 | 1 |
| 30 | Baking rack G36X03 | G36X03-071900 | 2 |
| 31 | side rack protect cover G36X03 | G36X03-073900 | 4 |
| 32 | side rack G36X03 | G36X03-073800 | 2 |
| 33 | Lamp round G36X03 | G36X03-180100 | 2 |
| 34 | grill burner spark plug support G36X03 | G36X03-090600 | 1 |
| 36 | oven cavity spark plug G36X03 | G36X03-170300-1 | 2 |
| 37 | glass wool for cavity down left down side G36X03 | G36X03-073000 | 2 |
| 38 | glass wool for cavity down left upper side G36X03 | G36X03-073300 | 2 |
| 40 | left outside plate G36R43 | G36R43-071000 | 1 |
| 44 | screw for anti-tip step G36X03 | G36X03-111000 | 1 |
| 46 | right outside plate G36R43 | G36R43-071001 | 1 |
| 47 | convection fan cover G36X03 | G36X03-091700 | 1 |
| 49 | Convection fan G20A01 | G20A01-091501 | 1 |
| 51 | Cavity back plate G36X03 | G36X03-072900 | 1 |
| 55 | Regulator G36X03 | G36X03-034000 | 1 |
| 57 | cavity back main gas pipe G36X03 | G36X03-030800 | 1 |
| 58 | 5/8" corrugated pipe 300mm G20C01 | G20C01-215302 | 1 |
| 59 | 5/8" corrugated pipe 550mm G20C01 | G20C01-215310 | 1 |
| 60 | baffle plate G36R43 | G36R43-072000 | 1 |
| 61 | anti-tip support G36X03 | G36X03-212501 | 1 |
| 62 | 3/4" corrugated pipe 170mm G36X03 | G36X03-215300 | 1 |
| 64 | anti-wall rubber mat G36X03 | G36X03-212600 | 2 |
| 65 | grill burner nozzle G36X03 | G36X03-021100 | 1 |
| 66 | Nozzle 1.38 G36X03 | G36X03-021205 | 1 |
| 69 | relay G36X03 | G36X03-190200 | 1 |
| 70 | power cord #13 G20A13 | G20A13-160101 | 1 |

| | | | |
|-----|---|------------------|---|
| 76 | oven U type burner G36X03 | G36X03-080100 | 1 |
| 80 | 5/8" corrugated pipe 870mm G20C01 | G20C01-215311 | 1 |
| 82 | Door down side connection plate G36R43 | G36R43-985600-02 | 1 |
| 84 | safety valve gas inlet G36X03 | G36X03-210500 | 4 |
| 85 | safety valve G36X03 | G36X03-035000-1 | 2 |
| 86 | 5/8" corrugated pipe 200mm G20C01 | G20C01-215309 | 1 |
| 87 | nozzle 2.20 G18X03 | G18X03-021206 | 1 |
| 88 | oven burner nozzle mount G36X03 | G36X03-021101 | 1 |
| 90 | oven leg G36X03 | G36X03-071500 | 4 |
| 93 | adjustable base G36R43 | G36R43-002100 | 2 |
| 95 | roast axis coat G48R43 | G48R43-002200 | 2 |
| 97 | grill burner G36X03 | G36X03-090100 | 1 |
| 98 | grill burner reflect board G36X03 | G36X03-090300 | 1 |
| 99 | front panel strip G36X03 | G36X03-214500 | 1 |
| 102 | thermo-sensor fixed part G36X03 | G36X03-031100 | 2 |
| 103 | thermo-sensor baffle piece | G36R43-031100 | 1 |
| 106 | Ignition G36R03 | G36R03-170101 | 6 |
| 107 | glass wool for cavity down plate G36X03 | G36X03-036000 | 1 |
| 108 | glass wool for cavity body G36X03 | G36X03-070800 | 1 |
| 110 | Cooling fan G36R43 | G36R43-200900 | 1 |
| 112 | Thermo-controller C36R05 | C36R05-076200 | 1 |
| 113 | knob for double gas outlet G36R03 | G36R03-030101 | 1 |
| 114 | knob ring for main gas valve G36R03 | G36R03-030202 | 6 |
| 115 | knob ring for thermostat G36R03 | G36R03-030201 | 1 |
| 116 | knob for thermostat- 1 to 2 G36R03 | G36R03-030103 | 1 |
| 117 | knob for single gas outlet G36R03 | G36R03-030100 | 5 |
| 118 | Door top connection plate G36R43 | G36R43-022300-02 | 1 |
| 119 | Round press button G36R43 | G36R43-170200 | 2 |
| 120 | red indicator G36X03 | G36X03-031000-7 | 1 |
| 121 | Copper bush G36R43 | G36R43-130100 | 2 |
| 123 | Control panel component G36R43 | G36R43-032300-Z | 1 |
| 126 | digital thermostat KKXT-18-48 G36X03 | G36X03-030900-1 | 1 |
| 127 | Cooktop valve 0.68 G48R07 | G48R07-030403 | 3 |
| 128 | Cooktop valve 0.62 G48R07 | G48R07-030401 | 2 |
| 129 | L/F Al.pipe G48R05 | G48R05-020700 | 1 |
| 131 | M/F Al.pipe G48R05 | G48R05-020300 | 1 |
| 132 | M/R Al.pipe G36R03 | G36R03-020200 | 1 |
| 133 | Cooktop valve 0.68+0.27 C36R04 | C36R04-030400 | 1 |
| 134 | control panel main gas pipe G36R43 | G36R43-030700 | 1 |
| 135 | R/F support Al.pipe G36R03 | G36R03-020600 | 1 |
| 136 | R/F main Al.pipe G36R03 | G36R03-020500 | 1 |
| 137 | R/R Al.pipe G36R03 | G36R03-020400 | 2 |
| 138 | top burner spark plug 700 G36R04 | G36R04-170501 | 1 |
| 139 | 20,000btu burner assembly G36R03 | G36R03-040200 | 1 |
| 141 | top burner spark plug 660mm G36R03 | G36R03-170501 | 3 |
| 142 | 15,000btu burner assembly G36R03 | G36R03-040100 | 2 |
| 144 | 9,000btu burner assembly G36R03 | G36R03-040000 | 2 |

| | | | |
|-----|--|------------------|---|
| 145 | top burner spark plug 380mm G36R03 | G36R03-170500 | 2 |
| 146 | Cooktop plate G12R03 | G12R03-020100 | 1 |
| 147 | Cooktop decoration bar G36X03 | G36X03-025000 | 1 |
| 148 | Cooktop plate G24R03 | G24R03-020100 | 1 |
| 149 | cast iron grates G36R05 | G36R05-021500 | 3 |
| 151 | backsplash board G36R03 | G36R03-011500-Z | 1 |
| 152 | backsplash cover plate G36R03 | G36R03-011600 | 1 |
| 154 | glass wool for door G36R43 | G36R43-103500 | 2 |
| 155 | door outer glass black pressing plate G30R43 | G30R43-101400-02 | 4 |
| | 36" complete door assembly left | | 1 |
| | 36" complete door assembly right | | 1 |

GUARANTEEDPARTS.COM

